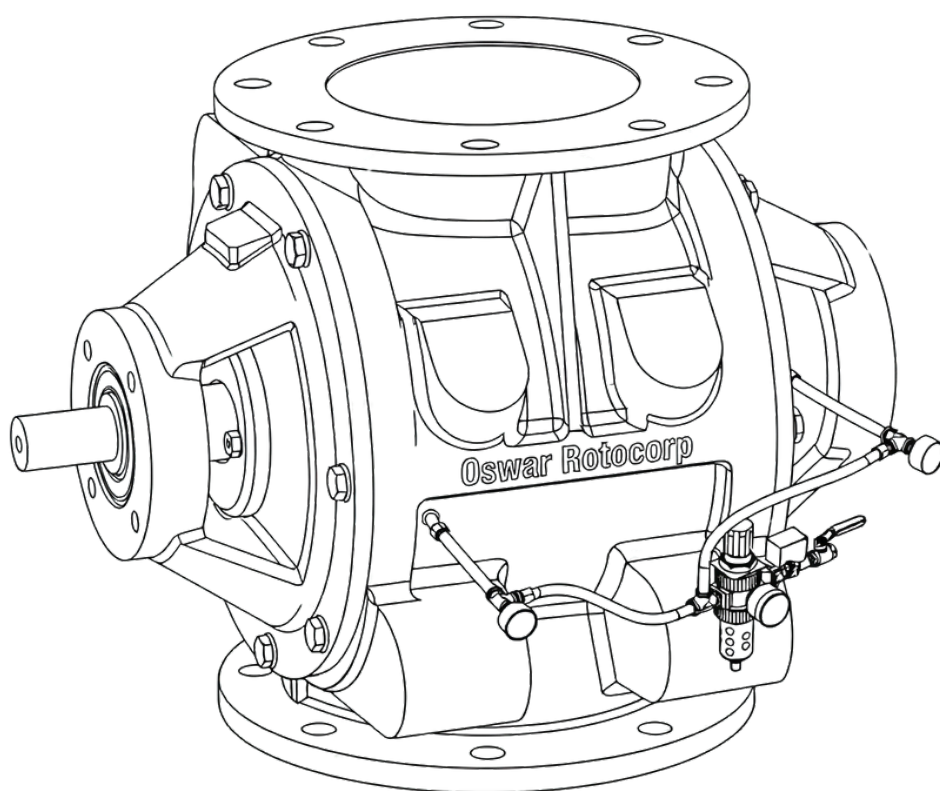



SUGAR INDUSTRY

SUGAR PROCESSING & BY-PRODUCT HANDLING



OSWAR
rotocorp



Oswar Rotocorp provides specialized flow control and bulk material handling solutions tailored for sugar manufacturing facilities. Sugar plants operate under continuous production cycles involving crystalline sugar, bagasse, ash, lime, and other process materials that require reliable and hygienic handling systems.

From raw sugar discharge and pneumatic conveying to boiler ash handling and dust control systems, our engineered equipment ensures stable flow, controlled feeding, and operational efficiency.

KEY ADVANTAGES

RAW & REFINED
SUGAR HANDLING

BOILER & ASH
DISCHARGE
SYSTEMS

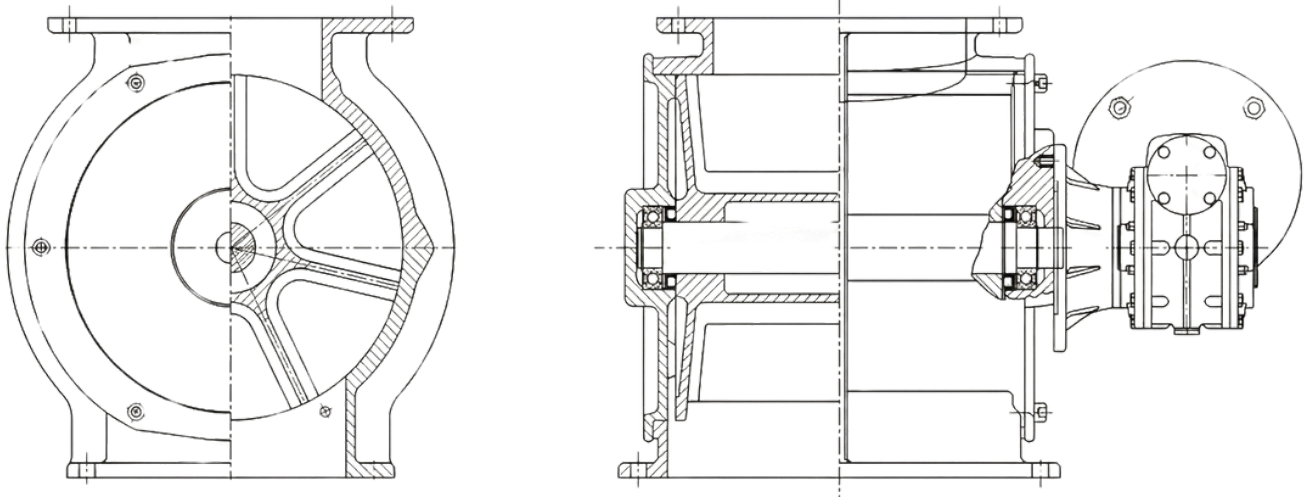
BAGASSE
HANDLING
SYSTEMS

PNEUMATIC
CONVEYING
SYSTEMS

BUILT FOR FIBROUS MATERIALS & CONTINUOUS DUTY

Sugar industry applications require equipment capable of handling crystalline sugar, fibrous bagasse, and abrasive ash materials. Our solutions are constructed with reinforced housings, optimized rotor geometry, and durable sealing systems to ensure consistent discharge and minimal leakage.

Precision-engineered Rotary Valves provide efficient airlock performance in pneumatic conveying and dust collection systems. Heavy-duty bearing arrangements and wear-resistant materials enhance durability during peak seasonal operations.



ENGINEERING FEATURES

- Rotary Valves for Sugar & Powder Discharge
- Heavy-Duty Rotary Valves for Bagasse & Fibrous Materials
- Pneumatic Pressure Rotary Valves for Conveying
- Slide Gate Valves for Silo Isolation
- Diverter Valves for Multi-Line Routing

SUPPORTING EFFICIENT & RELIABLE SUGAR PRODUCTION

- **Stable & Controlled Material Discharge**
- **Improved Airlock Efficiency in Conveying Systems**
- **Reliable Performance During Peak Seasons**
- **Reduced Leakage & Dust Emission**
- **Extended Equipment Service Life**
- **Lower Maintenance Downtime**



OSWAR

rotocorp

Corporate Office

Jaipur, Rajasthan India
Nagpur, Maharashtra India

Sales Inquiries

info@oswarrotocorp.com

Helpline

[+44 7917 128505](tel:+447917128505) | +91 77422 36474

Copyright © 2026 OSWAR ROTOCORP. All Rights Reserved. OSWAR® is a registered trademark of **OSWAR ROTOCORP**. This brochure makes no offers, representations or warranties (express or implied), and information and data contained in this brochure are for general reference only and may change at any time.